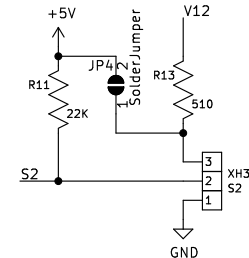
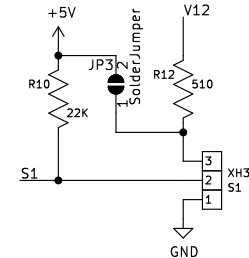
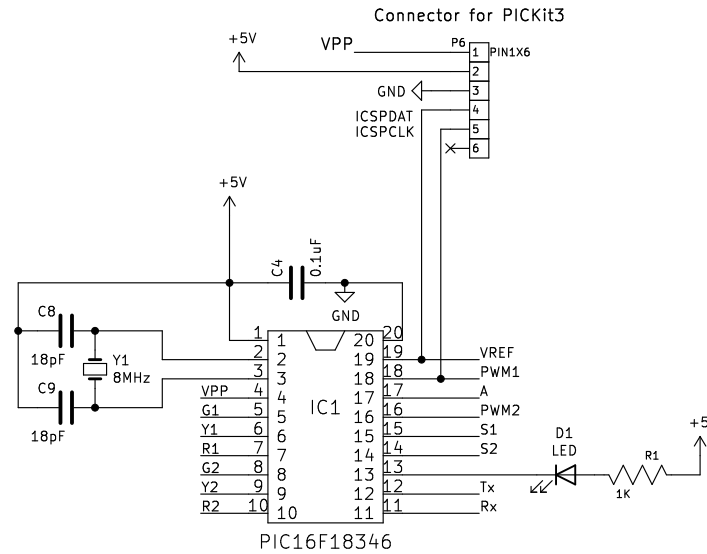
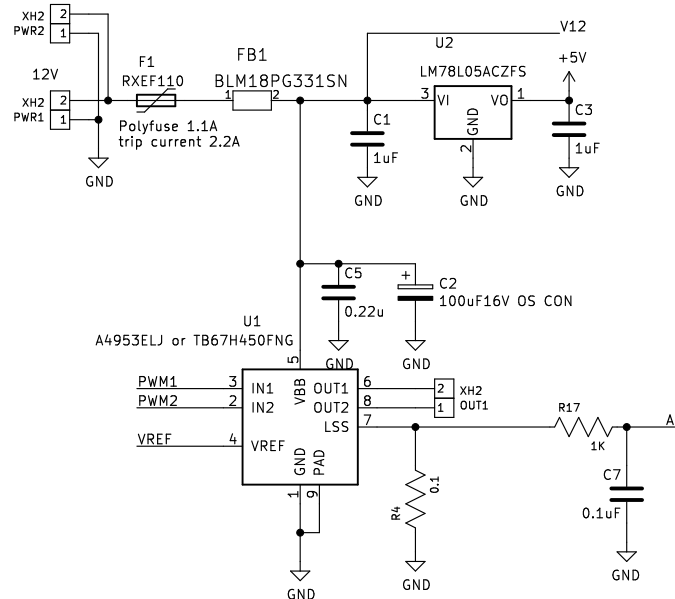
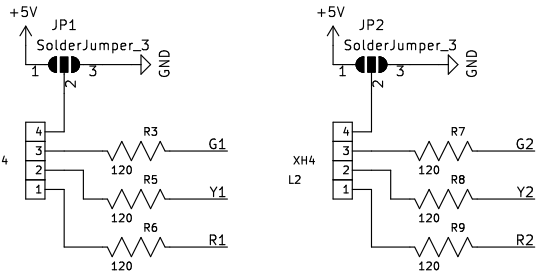


R3, R5 to R9 are adjusted according to the LED type



SNTC Project BSC (Block Section Controller) or PD (Point Driver)		by ik-gadgets
Sheet: / File: BSC.kicad_sch		
<b>Title:</b> BSC/PD		
Size: A4	Date: 2020/10/04	<b>Rev:</b>
KiCad E.D.A. kicad (6.0.10)		Id: 1/1