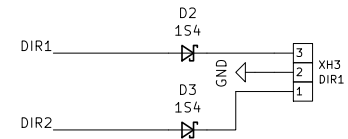
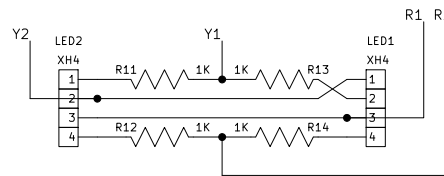
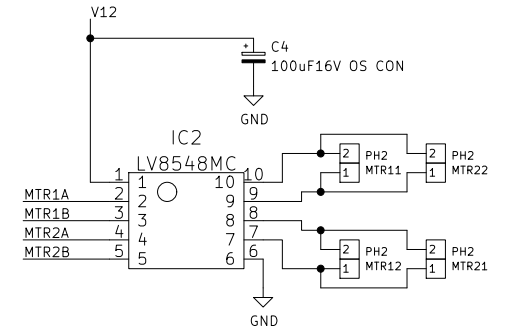


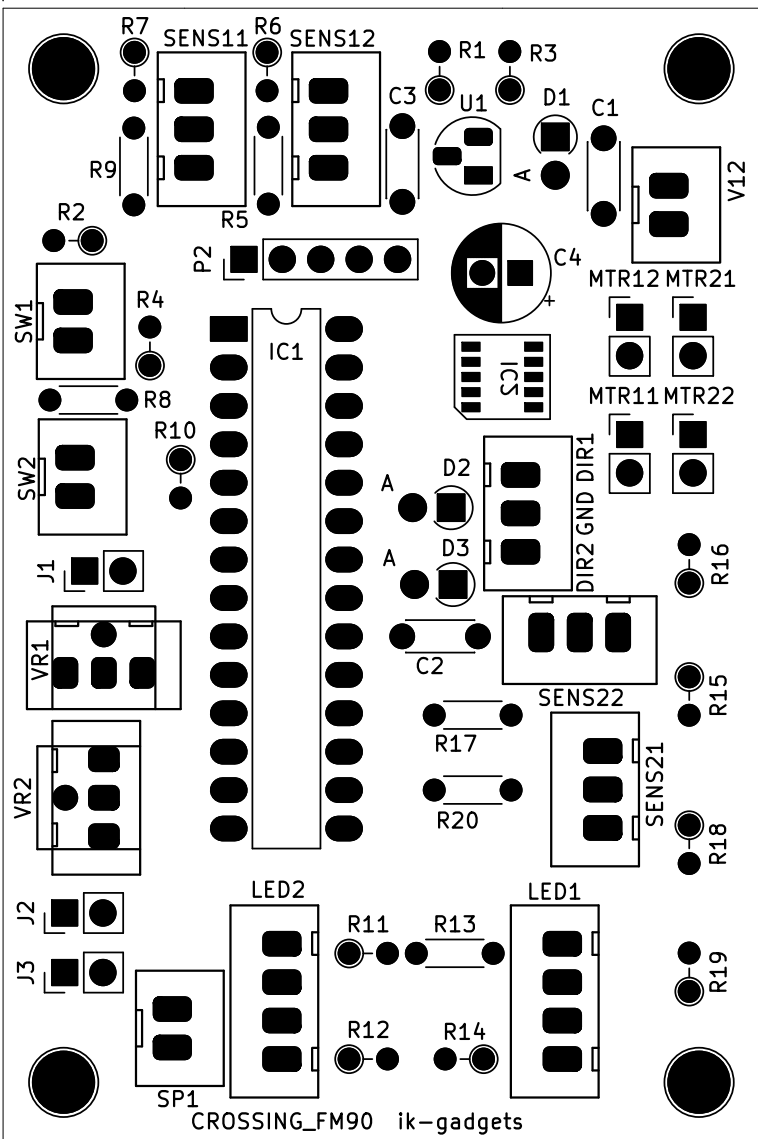
[CROSSING_FM90] N Gauge Railroad Crossing drive circuit by ik-gadgets



50.0000 mm

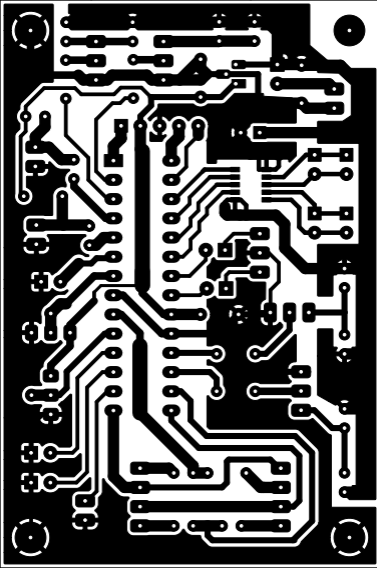
75.0000 mm

67.0000 mm

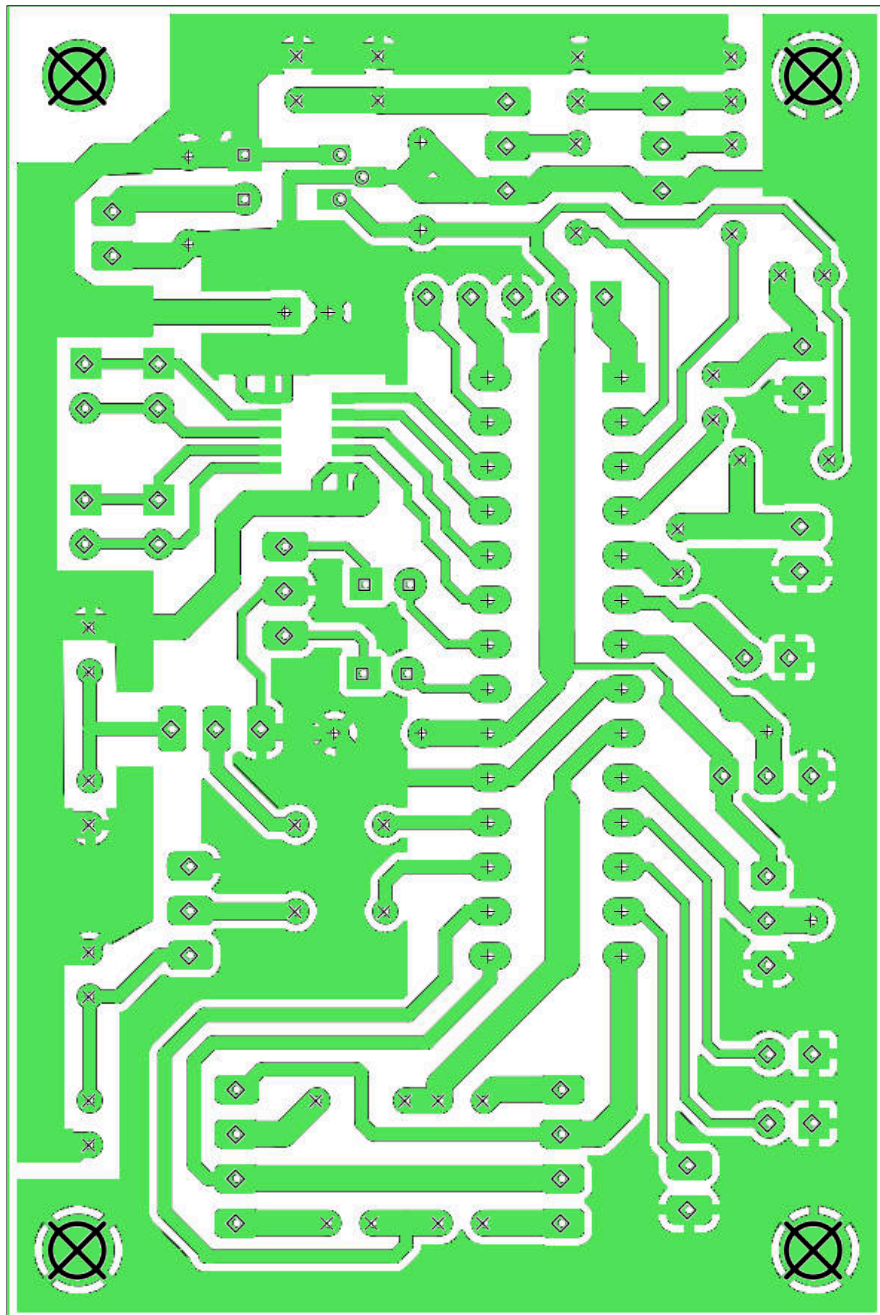


CROSSING_FM90 ik-gadgets

42.0000 mm



CROSSING_FM90 Drill Map (Back side)



Drill Map:

×	0.700mm	/	0.0276"	(40 holes)
o	0.750mm	/	0.0295"	(3 holes)
+	0.800mm	/	0.0315"	(38 holes)
□	0.900mm	/	0.0354"	(6 holes)
◇	1.000mm	/	0.0394"	(56 holes)
⊗	3.048mm	/	0.1200"	(4 holes)