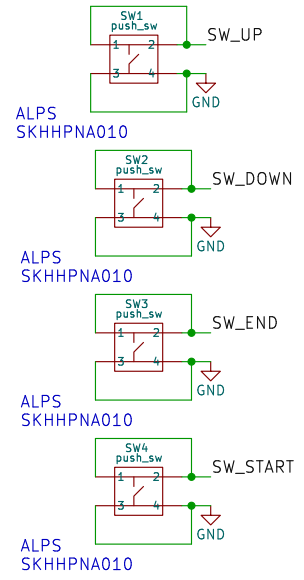
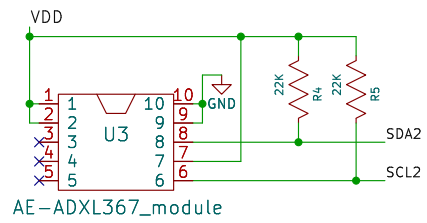
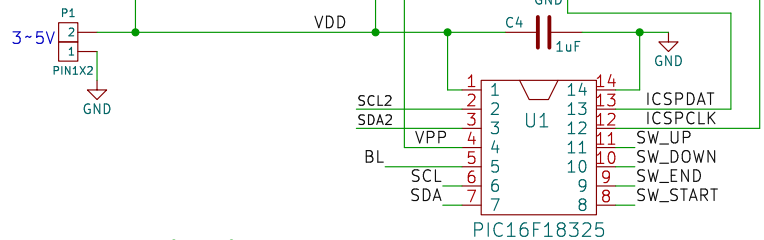


I2C接続小型キャラクターLCDモジュール
8×2行(バックライト付)
秋月電子通商

Connector for programming
and
Pin 3 and 4 are connected to
a piezoelectric buzzer + 1KΩ resistor.
and
Pin 4(UART Tx) and 3(GND) are used to
transfer data to the PC.



Sheet: /	
File: APNEA_A.kicad_sch	
Title:	
Size: A4	Date:
KiCad E.D.A. 9.0.7	Rev: Id: 1/1