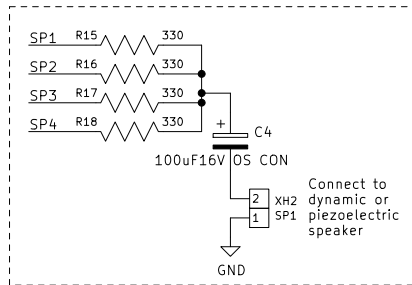
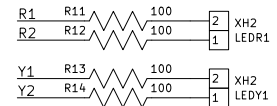
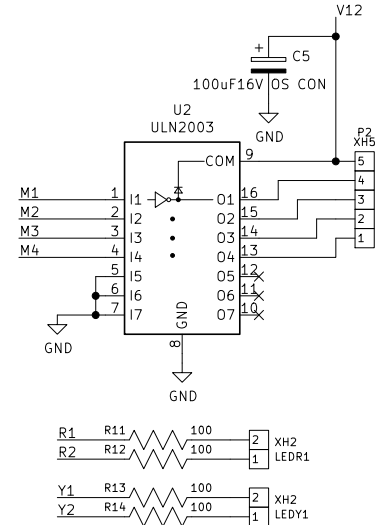
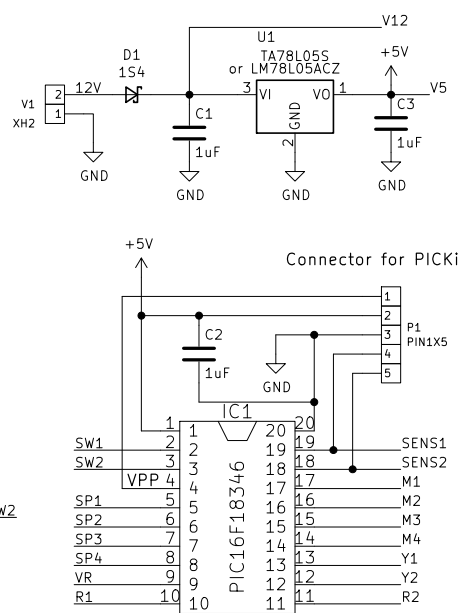
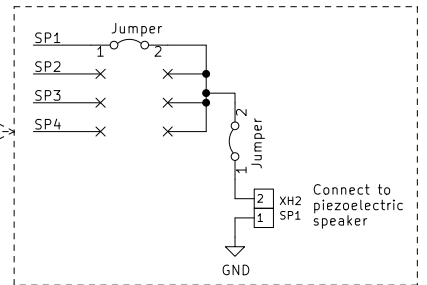


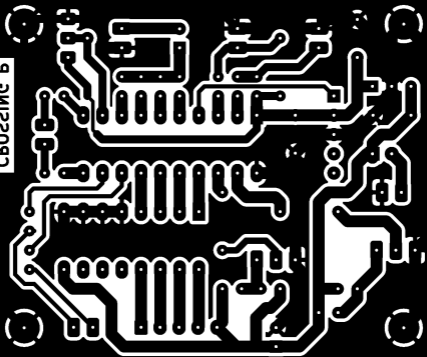
**[CROSSING_P]
N Gauge Railroad Crossing
drive circuit by ik-gadgets**



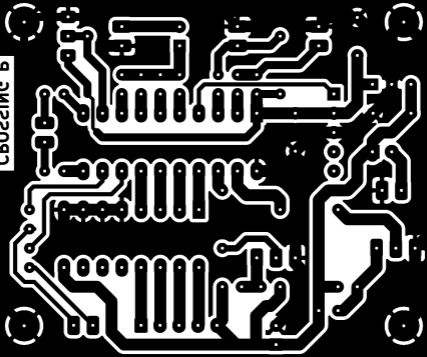
Select by speaker type

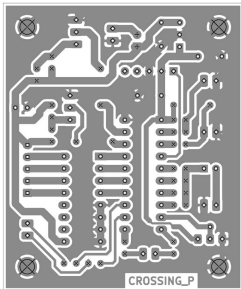


СКОЗНИСЪ



СКОЗНИСЪ





Drill Map: **Bottom View**

×	0.70mm	/	0.028"	{36 holes}
○	0.80mm	/	0.031"	{50 holes}
+	0.90mm	/	0.035"	{2 holes}
□	0.95mm	/	0.037"	{5 holes}
◇	1.00mm	/	0.039"	{26 holes}
⊗	3.05mm	/	0.120"	{4 holes}

