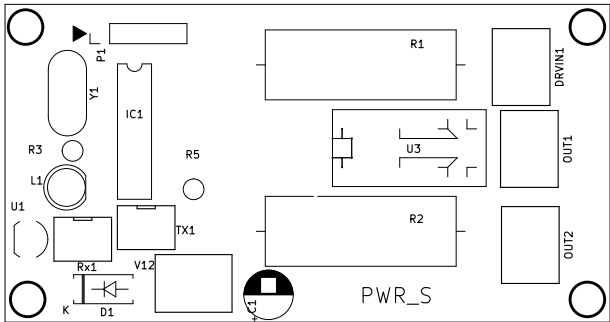
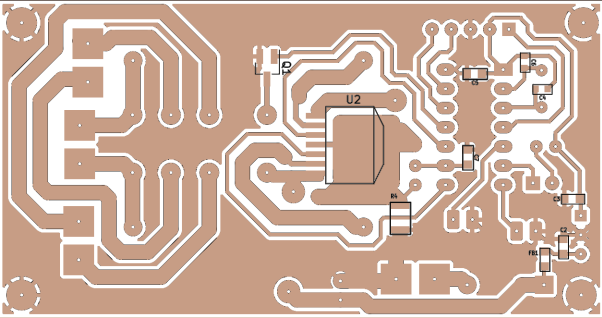


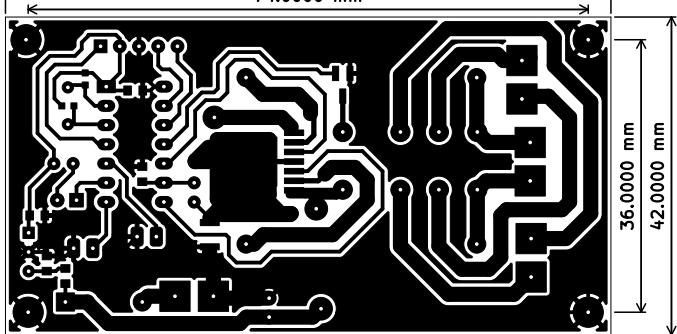
Sheet: /	
File: PWR_S.kicad_sch	
Title: Point Motor Driver by IK-gadgets	
Size: A4	Date: 2023/07/14
KiCad E.D.A. eeschema (6.0.10)	Rev: Id: 1/1

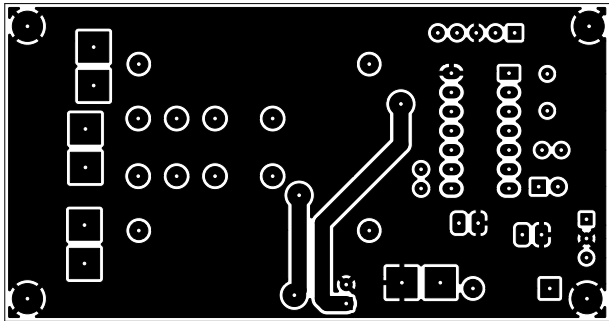




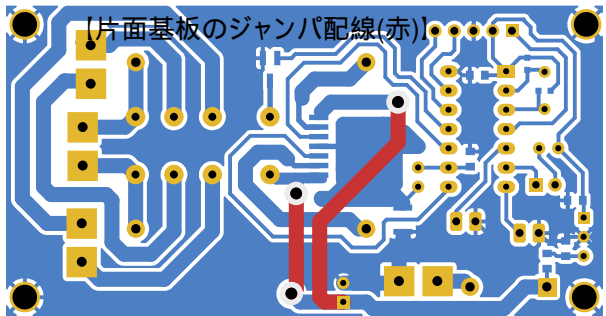
80.0000 mm

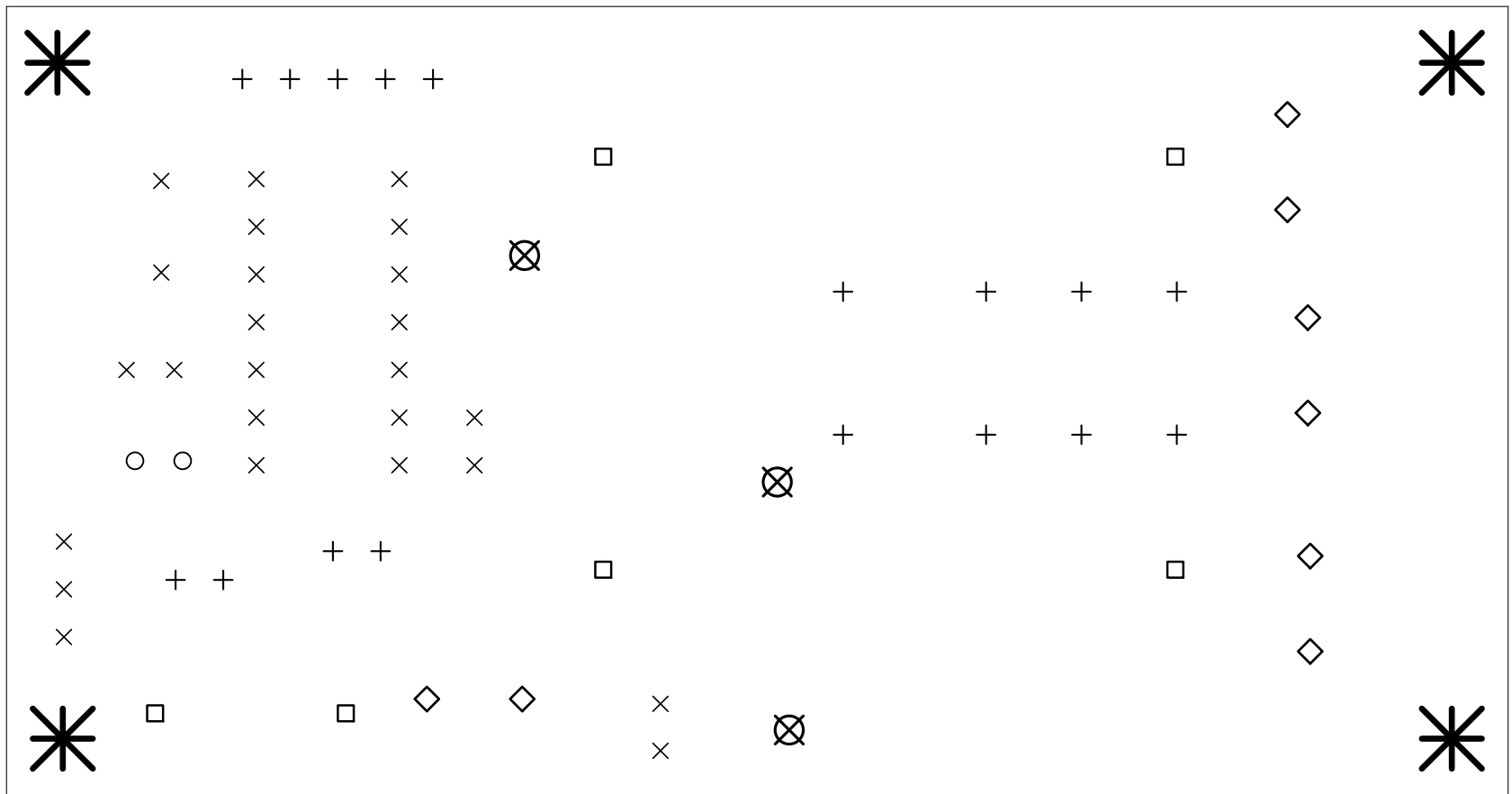
74.0000 mm





【片面基板のジャンパ配線(赤)】





Drill Map:

- × 0.800mm / 0.0315" (25 holes)
- 0.900mm / 0.0354" (2 holes)
- + 1.000mm / 0.0394" (17 holes)
- 1.200mm / 0.0472" (6 holes)
- ◇ 1.300mm / 0.0512" (8 holes)
- ⊗ 1.500mm / 0.0591" (3 holes)
- * 3.200mm / 0.1260" (4 holes)